

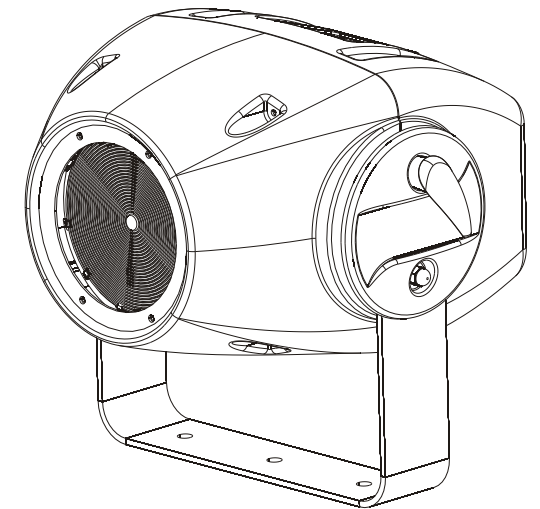
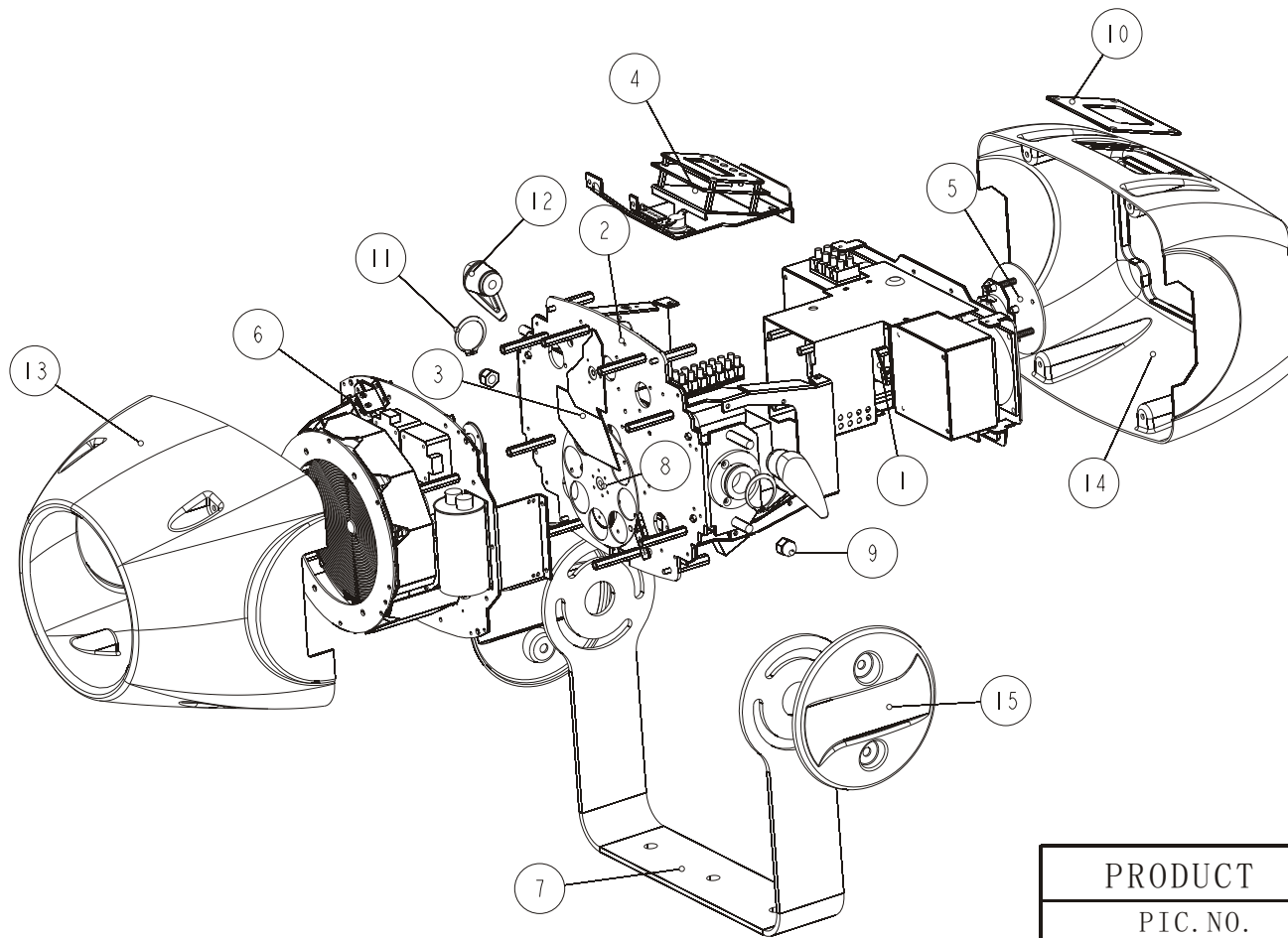
Service manual

CMY ZOOM 250

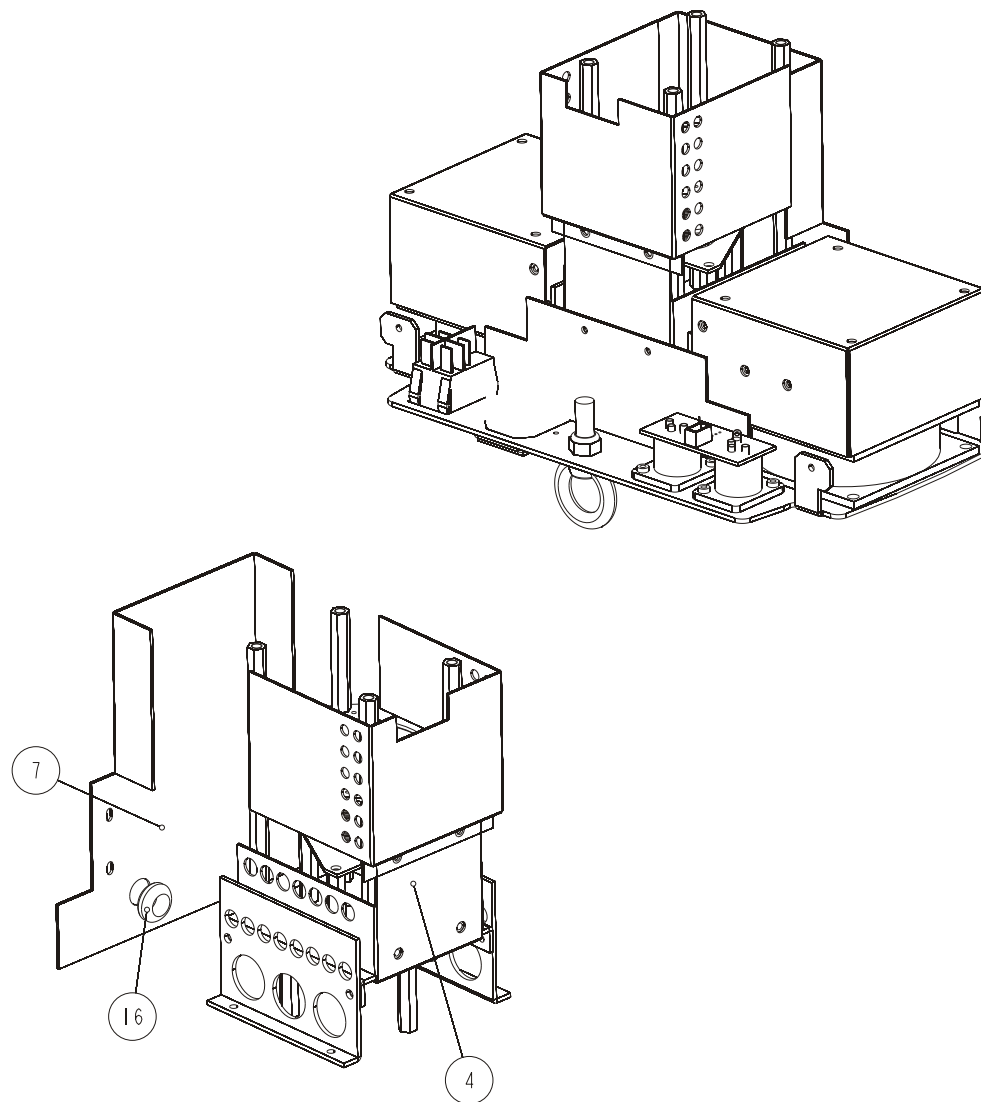
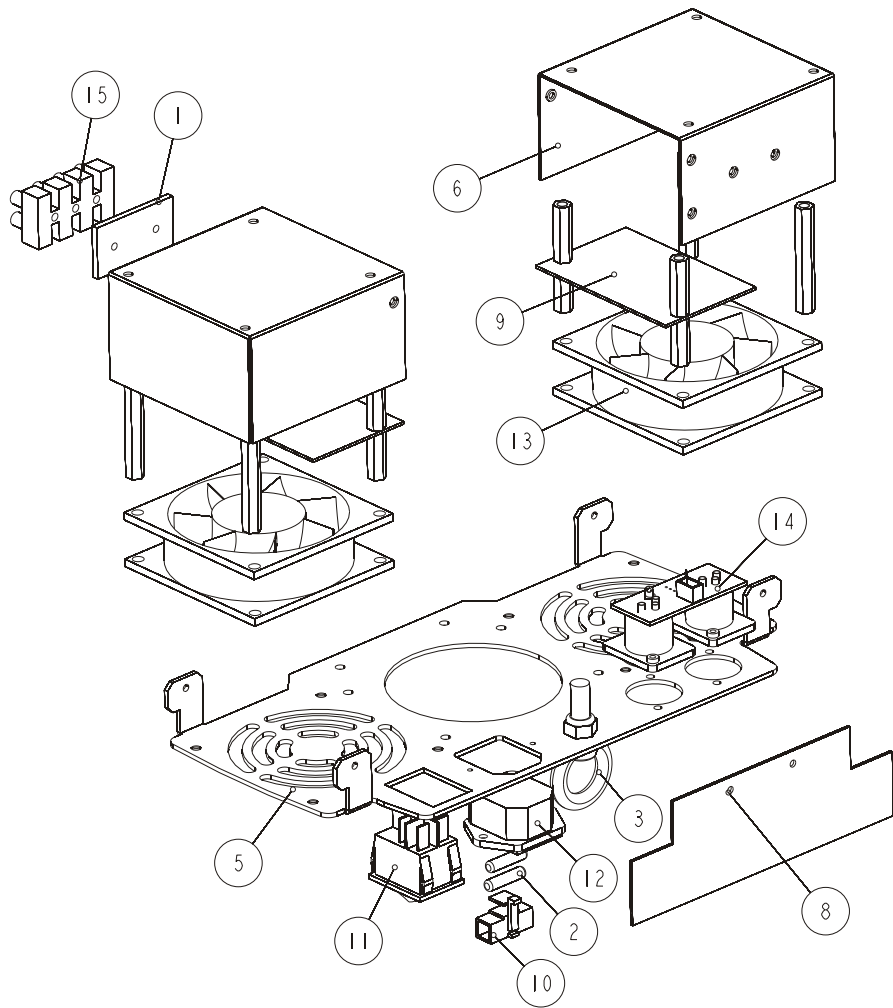
- ※ **Exploded Diagrams**
- ※ **Circuit Diagrams**
- ※ **Wiring Diagrams**
- ※ **Order Numbers**



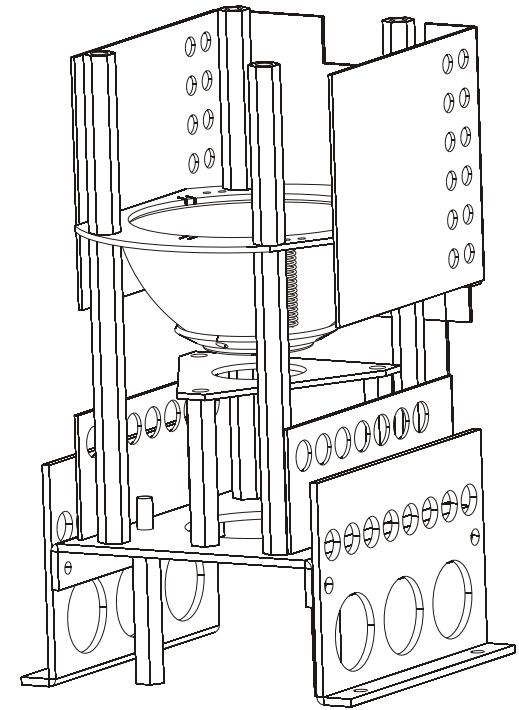
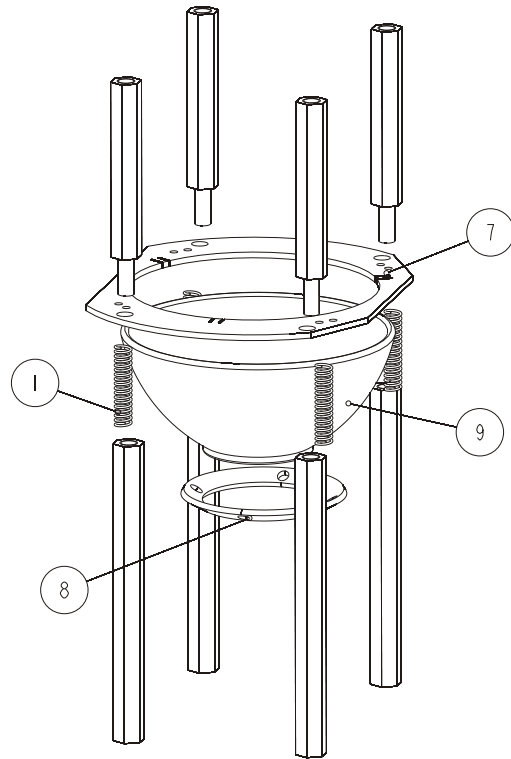
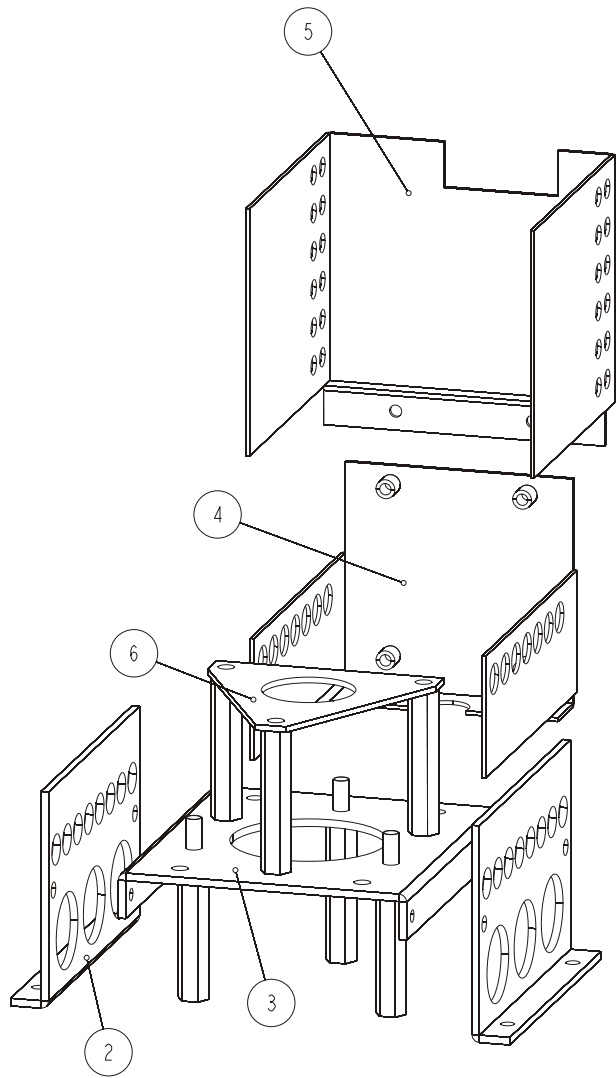
PRODUCT		CMY ZOOM 250			
PIC. NO.		Front Page			
EDIT		FILE NO.	GS-EXP-013A		
CHECK		VERSION	NR	DATE	2005. 12. 13
APPROVE		ECN NO.		DATE	



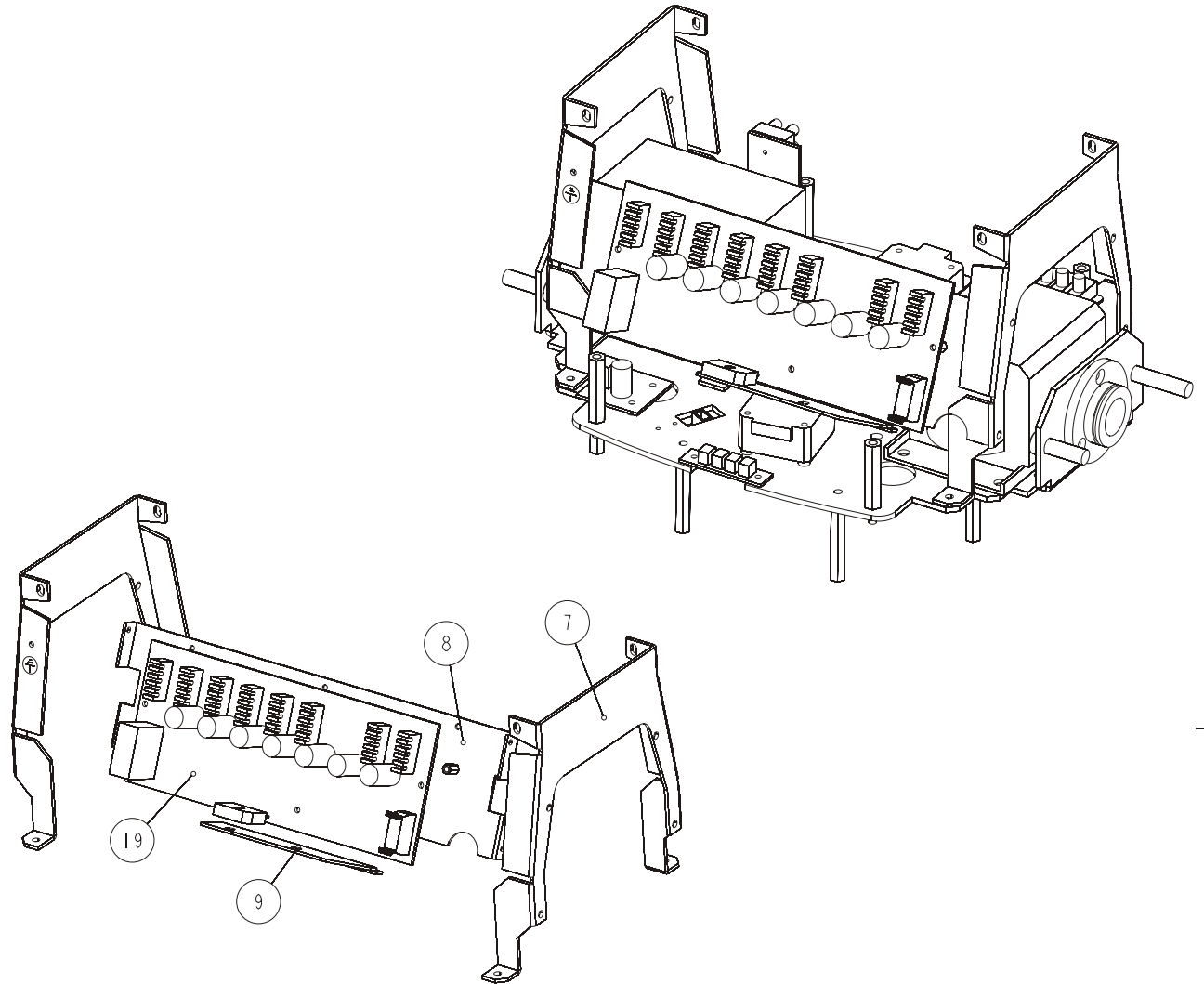
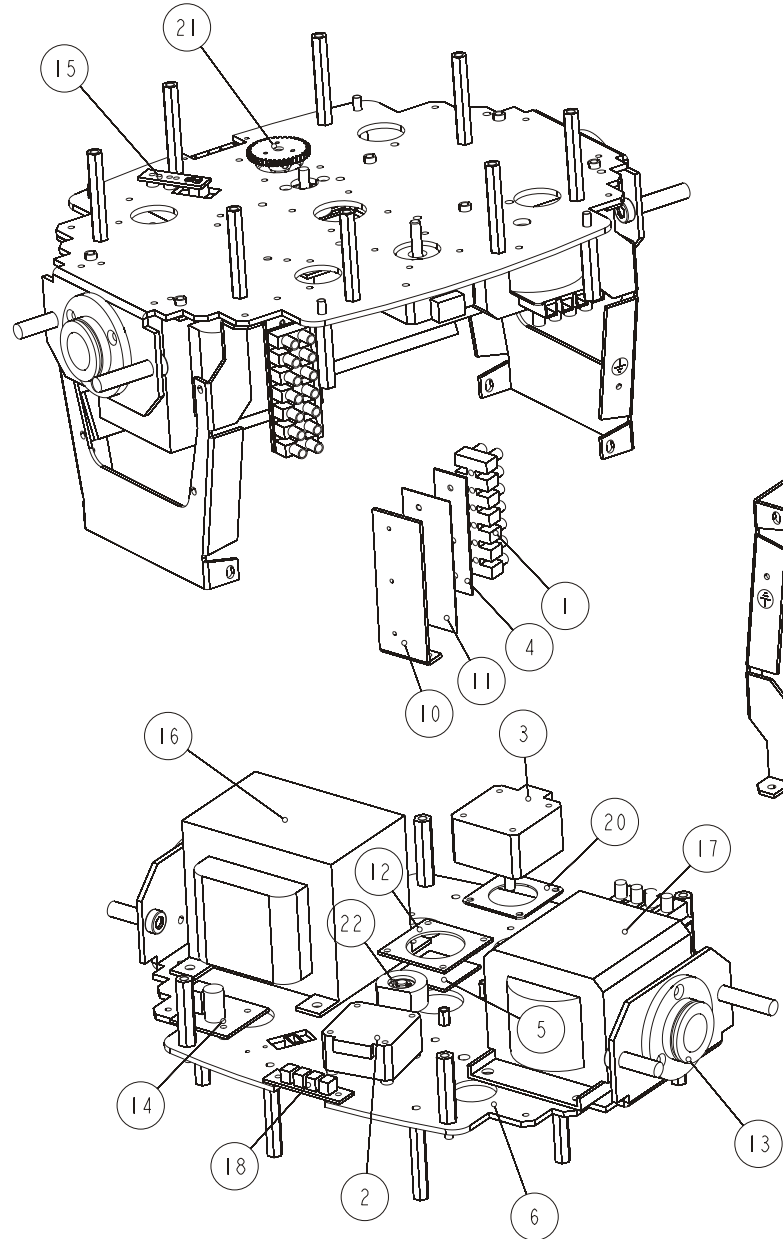
PRODUCT		CMY ZOOM 250			
PIC. NO.		BSD-00-00			
EDIT		FILE NO.	GS-EXP-013A		
CHECK		VERSION	NR	DATE	2005. 12. 13
APPROVE		ECN NO.		DATE	



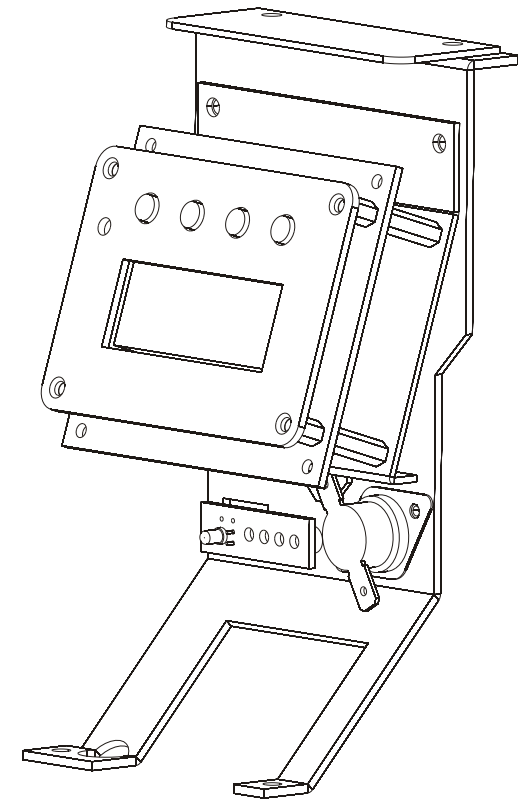
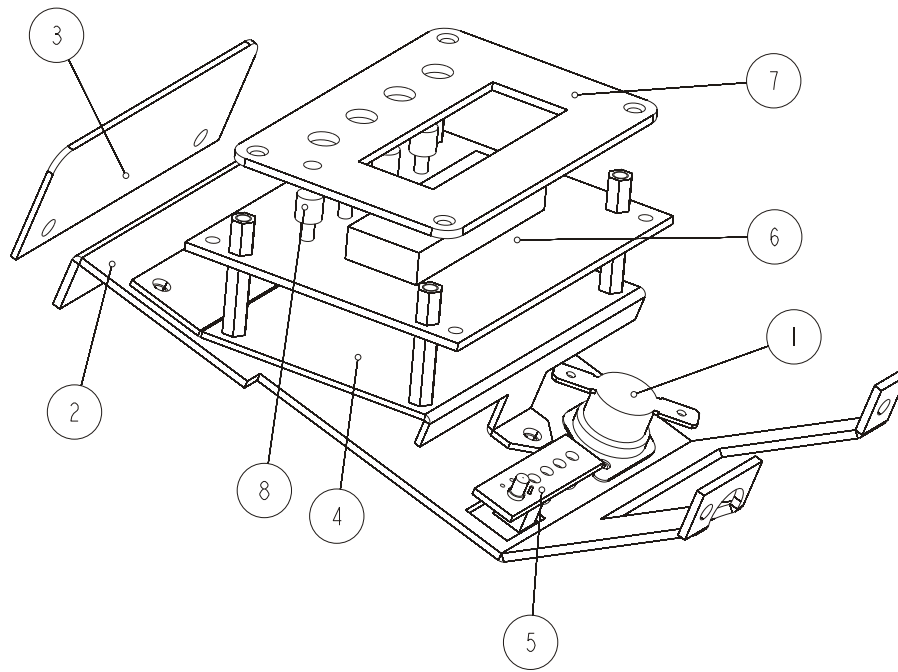
PRODUCT		CMY ZOOM 250			
PIC. NO.		BSD-01-00			
EDIT		FILE NO.	GS-EXP-013A		
CHECK		VERSION	NR	DATE	2005. 12. 13
APPROVE		ECN NO.		DATE	



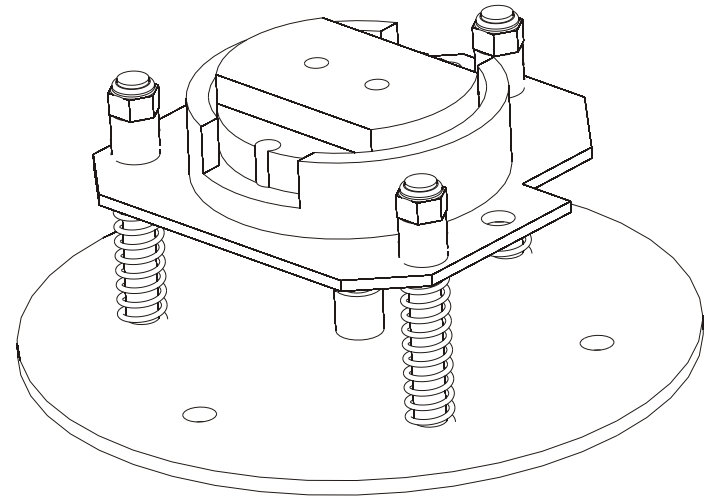
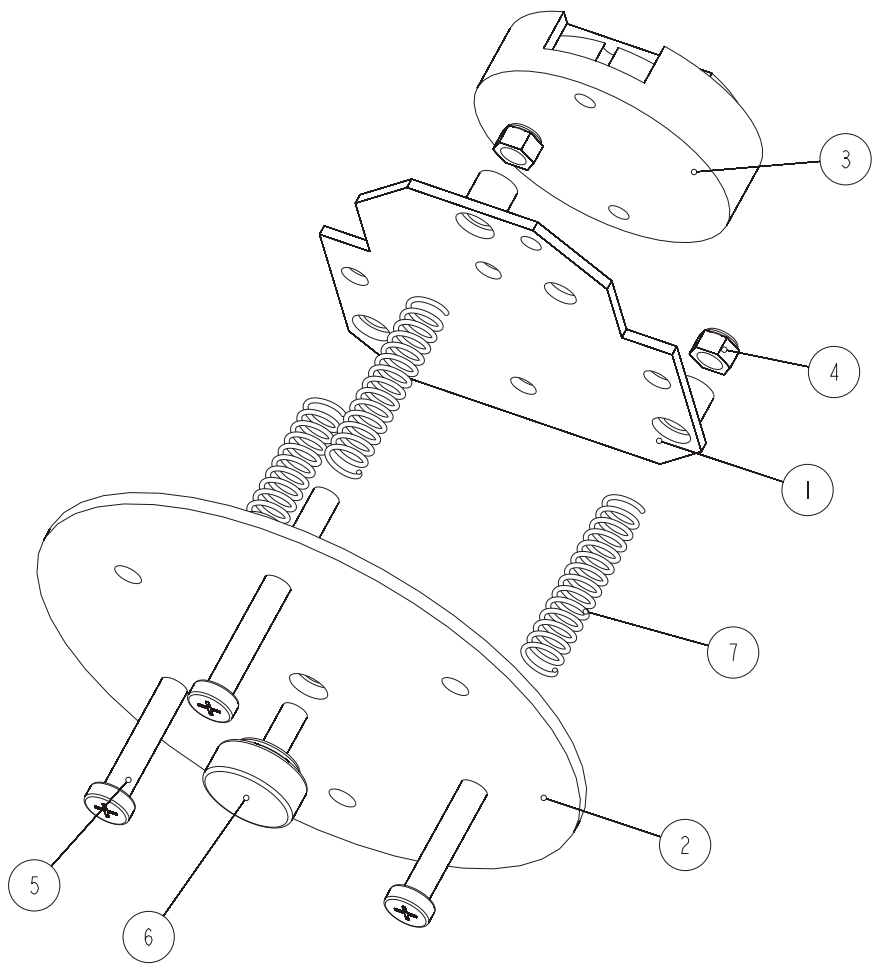
PRODUCT		CMY ZOOM 250			
PIC. NO.		BSD-01-01			
EDIT		FILE NO.	GS-EXP-013A		
CHECK		VERSION	NR	DATE	2005. 12. 13
APPROVE		ECN NO.		DATE	



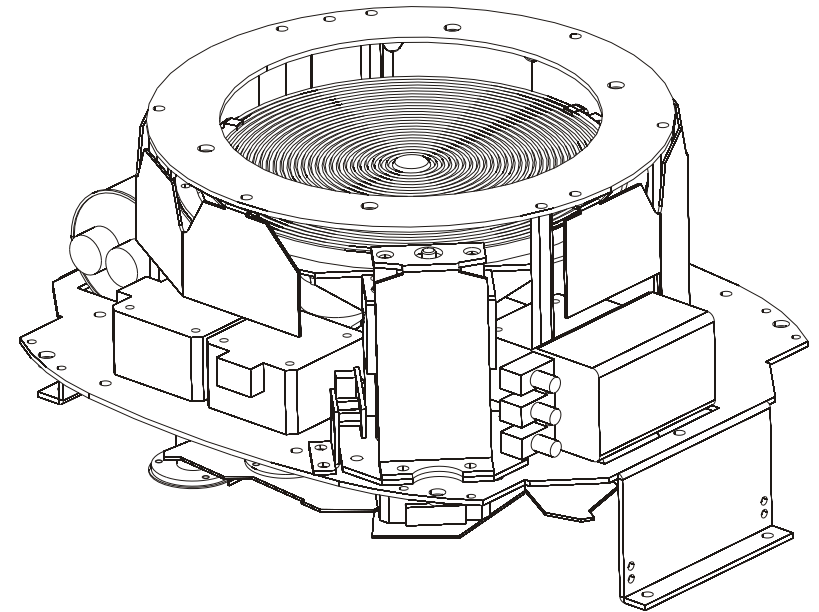
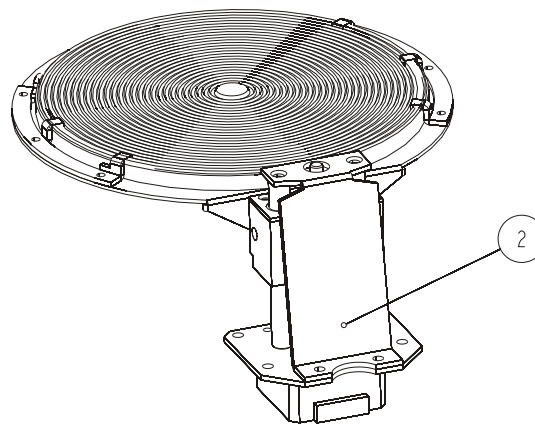
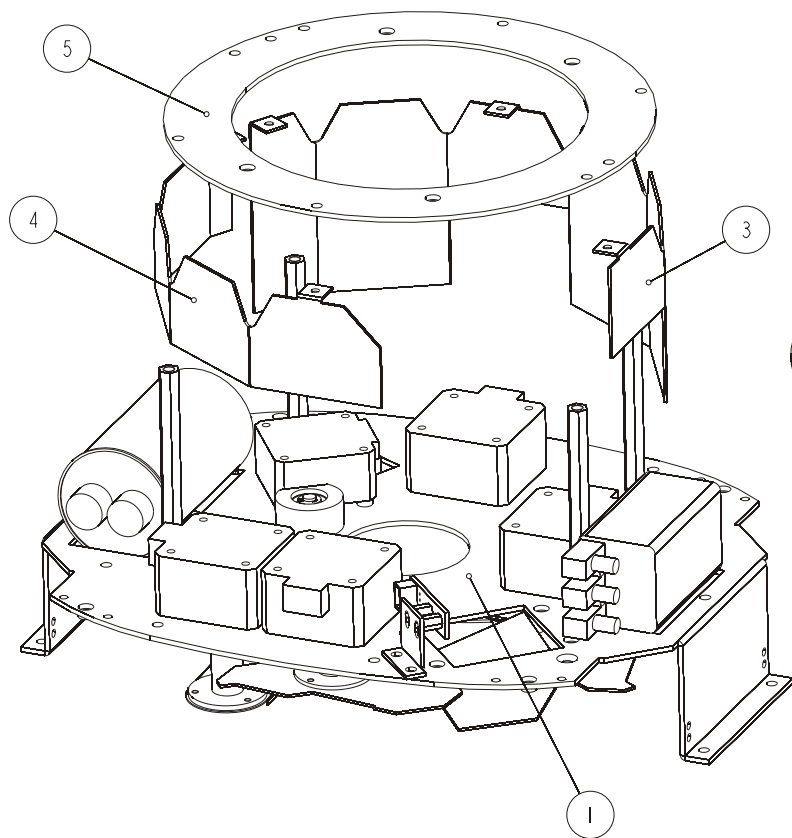
PRODUCT		CMY ZOOM 250			
PIC. NO.		BSD-02-00			
EDIT		FILE NO.	GS-EXP-013A		
CHECK		VERSION	NR	DATE	2005. 12. 13
APPROVE		ECN NO.		DATE	



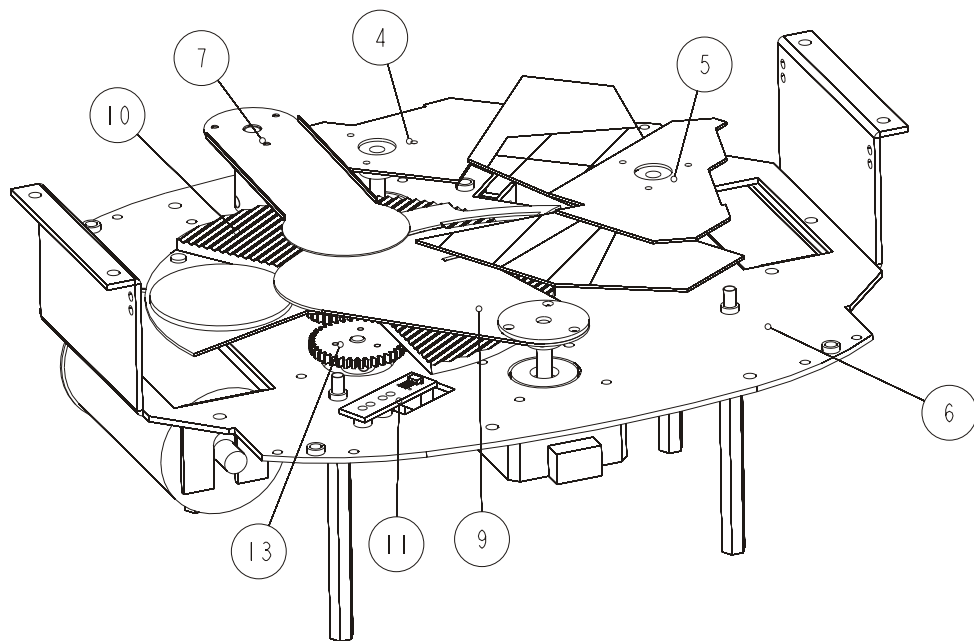
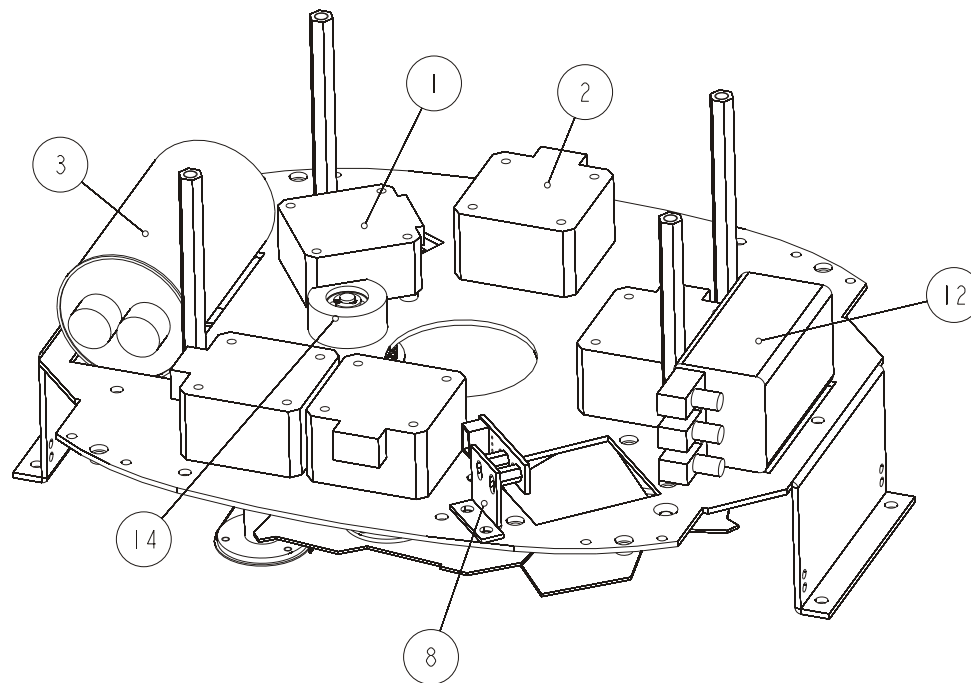
PRODUCT		CMY ZOOM 250			
PIC. NO.		BSD-03-00			
EDIT		FILE NO.	GS-EXP-013A		
CHECK		VERSION	NR	DATE	2005. 12. 13
APPROVE		ECN NO.		DATE	



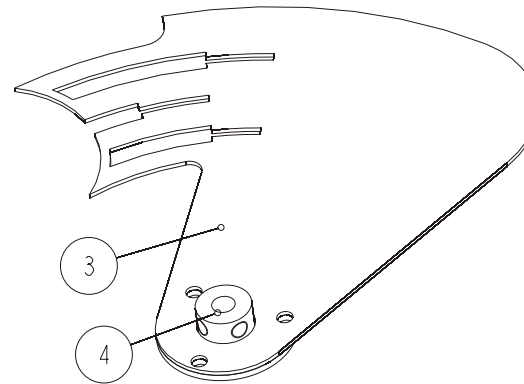
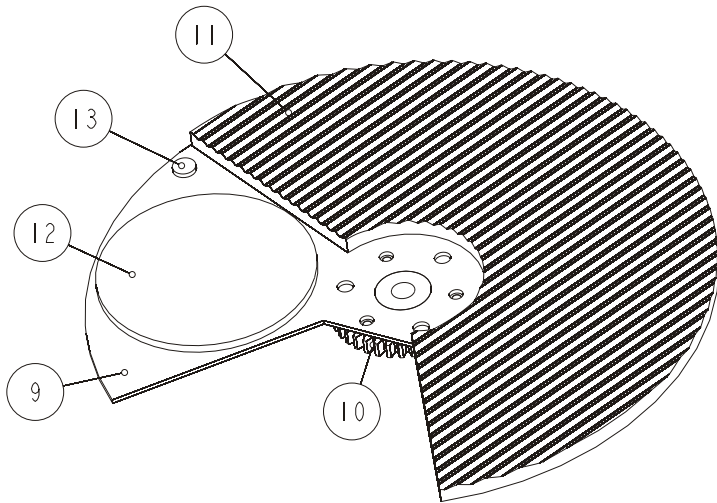
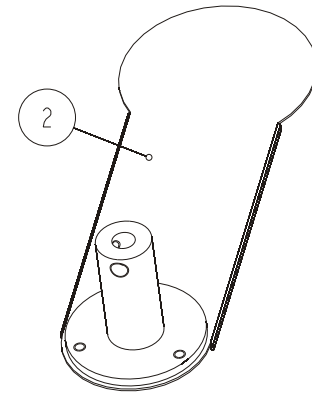
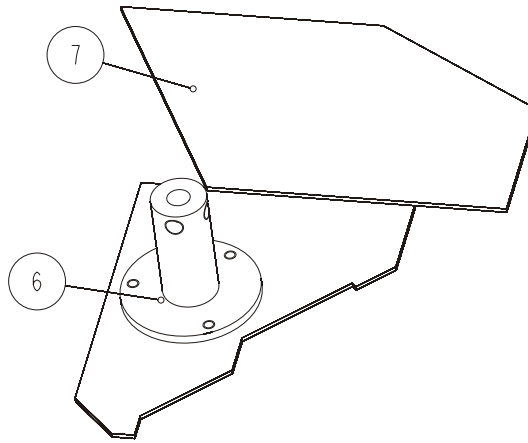
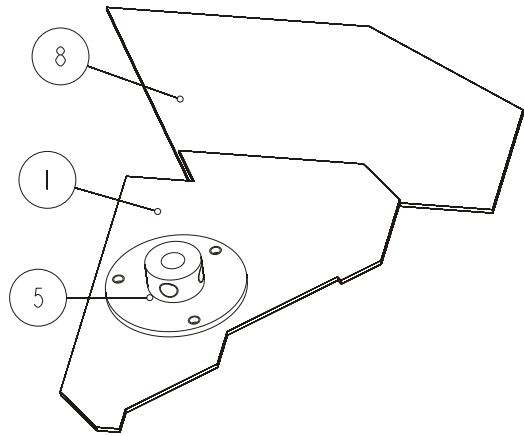
PRODUCT		CMY ZOOM 250			
PIC. NO.		BSD-04-00			
EDIT		FILE NO.	GS-EXP-013A		
CHECK		VERSION	NR	DATE	2005. 12. 13
APPROVE		ECN NO.		DATE	



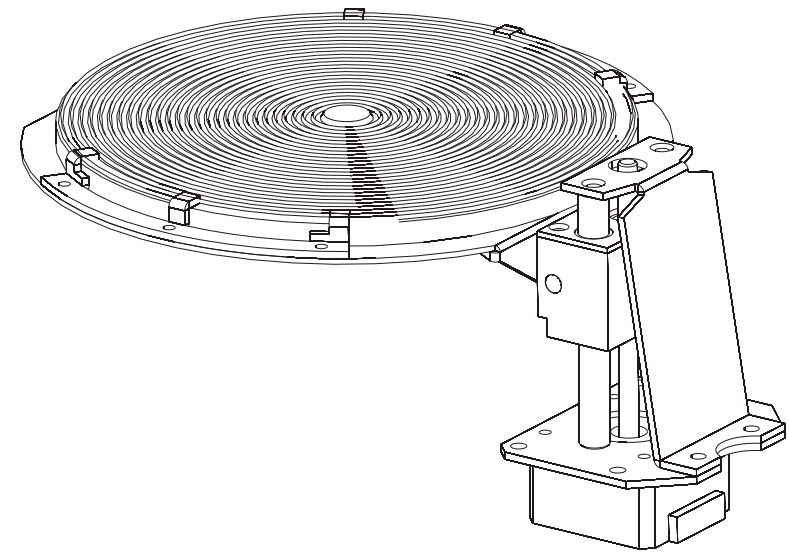
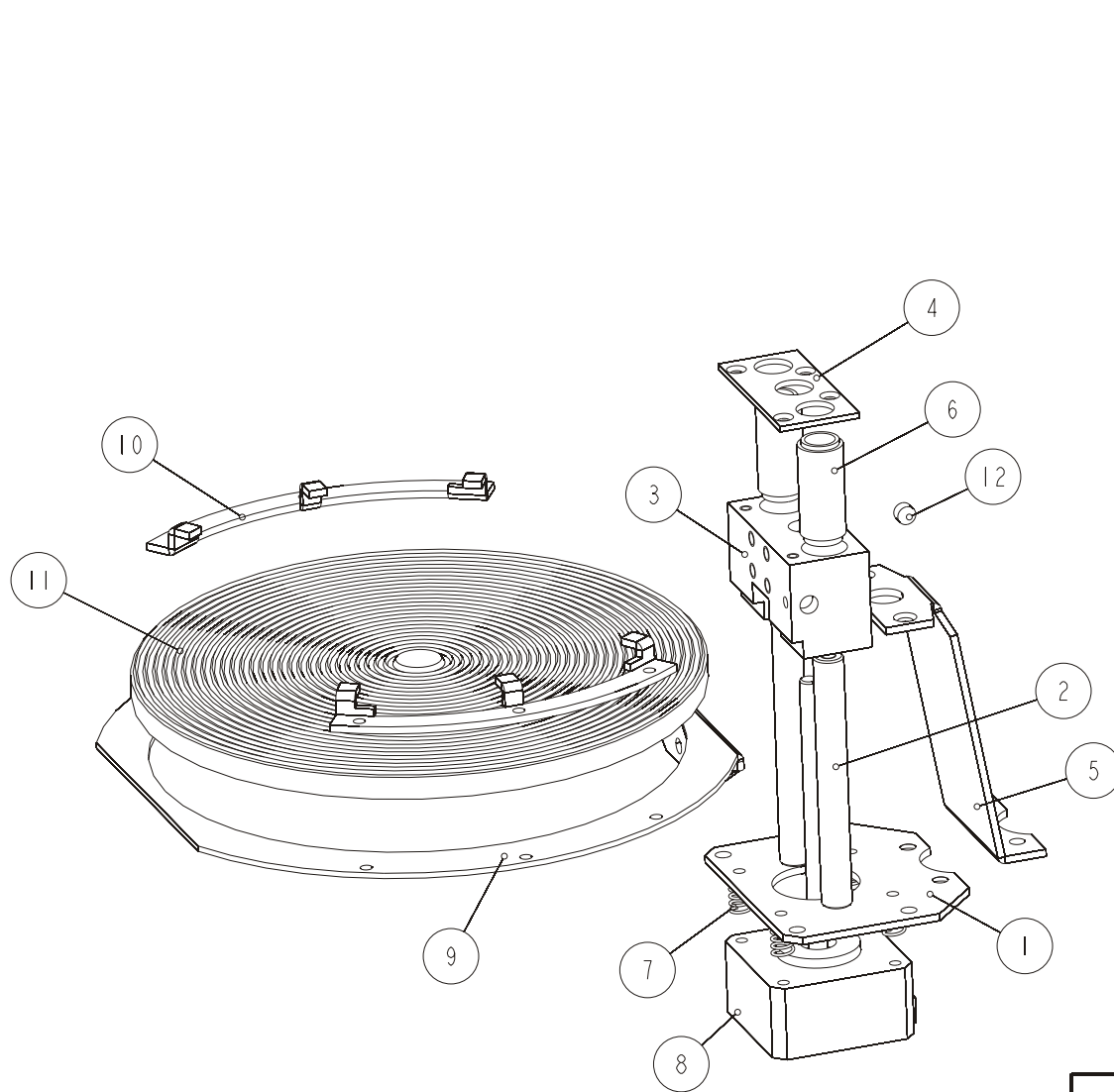
PRODUCT		CMY ZOOM 250			
PIC. NO.		BSD-05-00			
EDIT		FILE NO.	GS-EXP-013A		
CHECK		VERSION	NR	DATE	2005. 12. 13
APPROVE		ECN NO.		DATE	



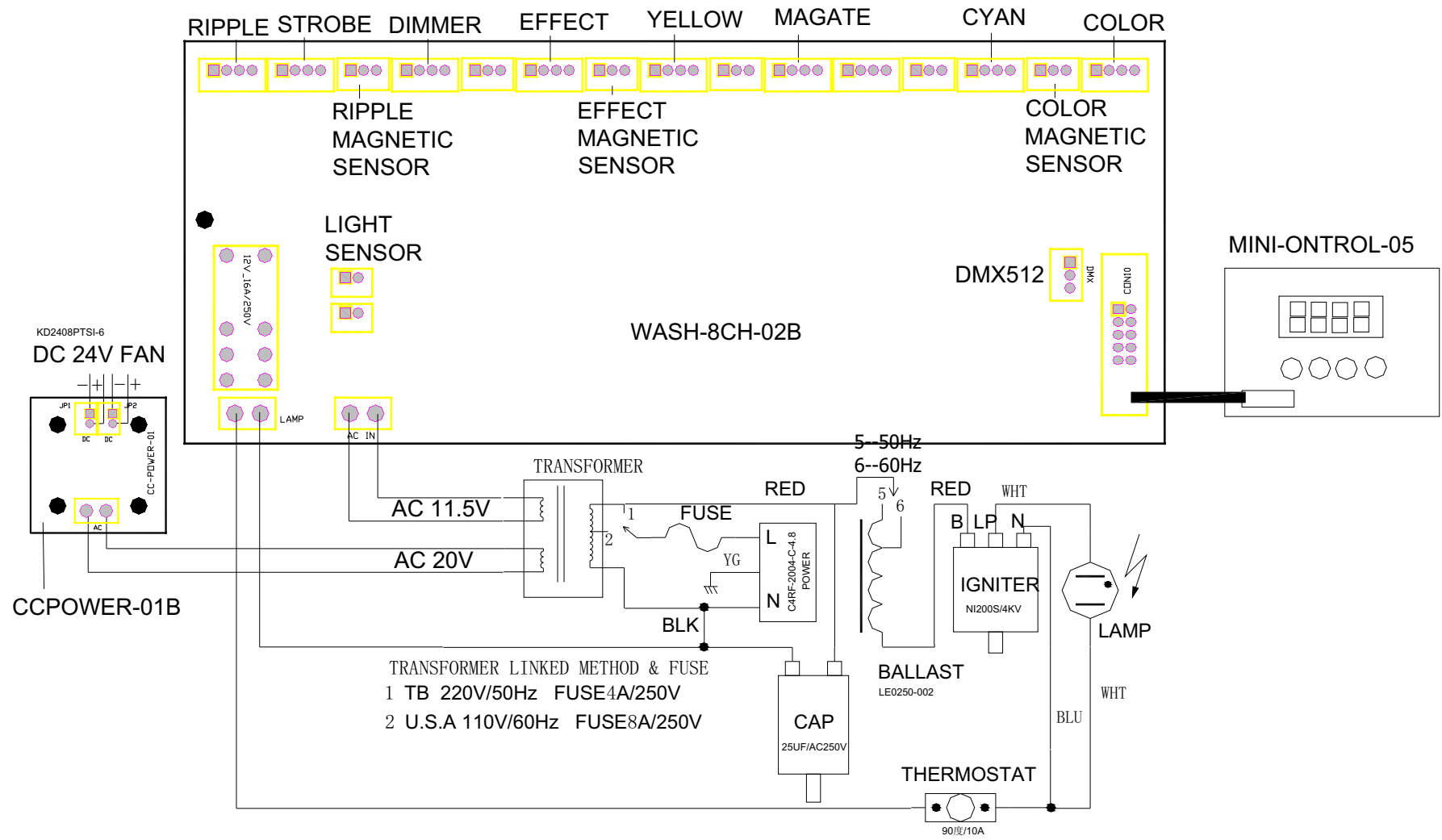
PRODUCT		CMY ZOOM 250			
PIC. NO.		BSD-05-01			
EDIT		FILE NO.	GS-EXP-013A		
CHECK		VERSION	NR	DATE	2005. 12. 13
APPROVE		ECN NO.		DATE	



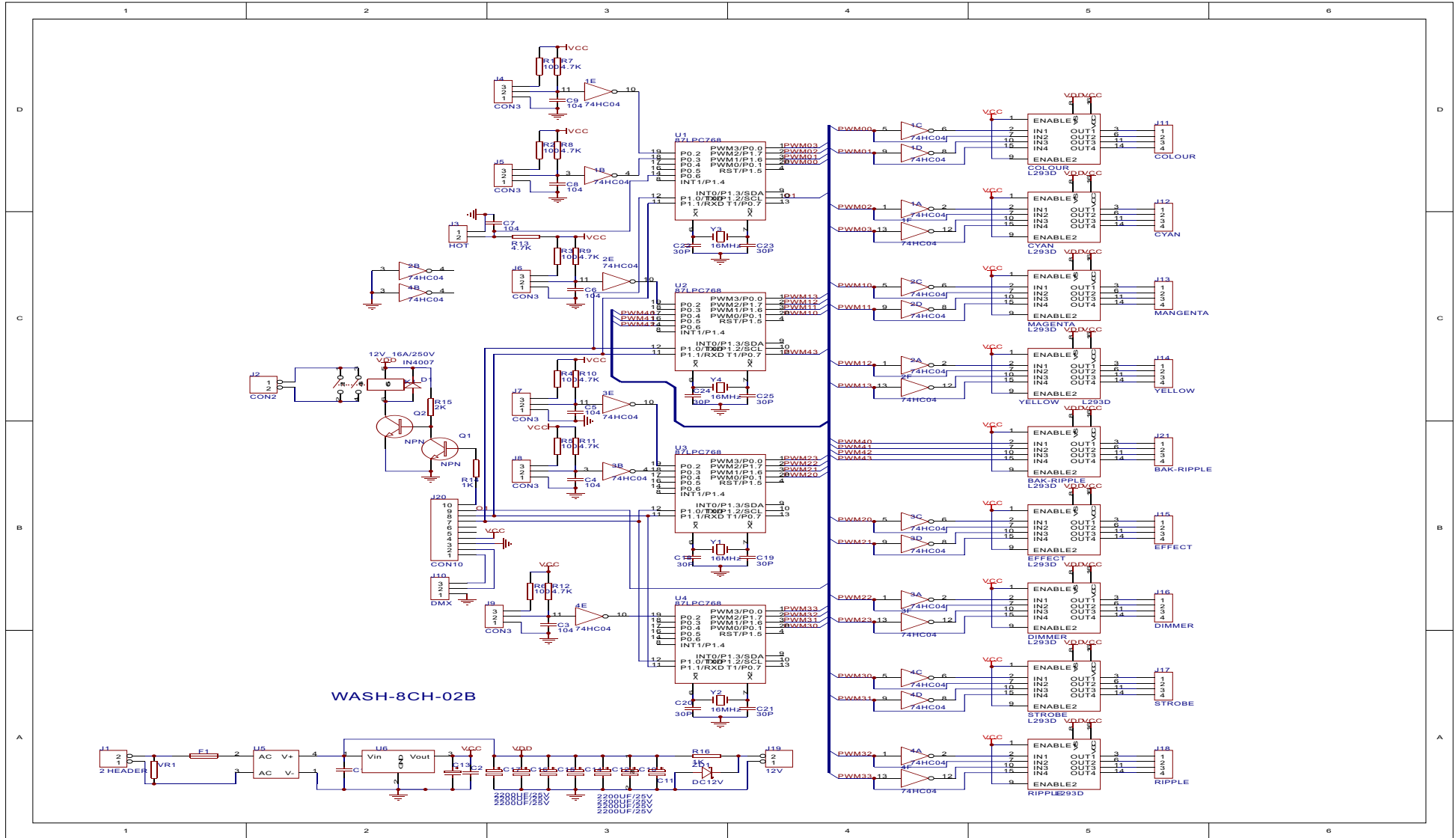
PRODUCT		CMY ZOOM 250			
PIC. NO.		BSD-05-01-01			
EDIT		FILE NO.	GS-EXP-013A		
CHECK		VERSION	NR	DATE	2005. 12. 13
APPROVE		ECN NO.		DATE	



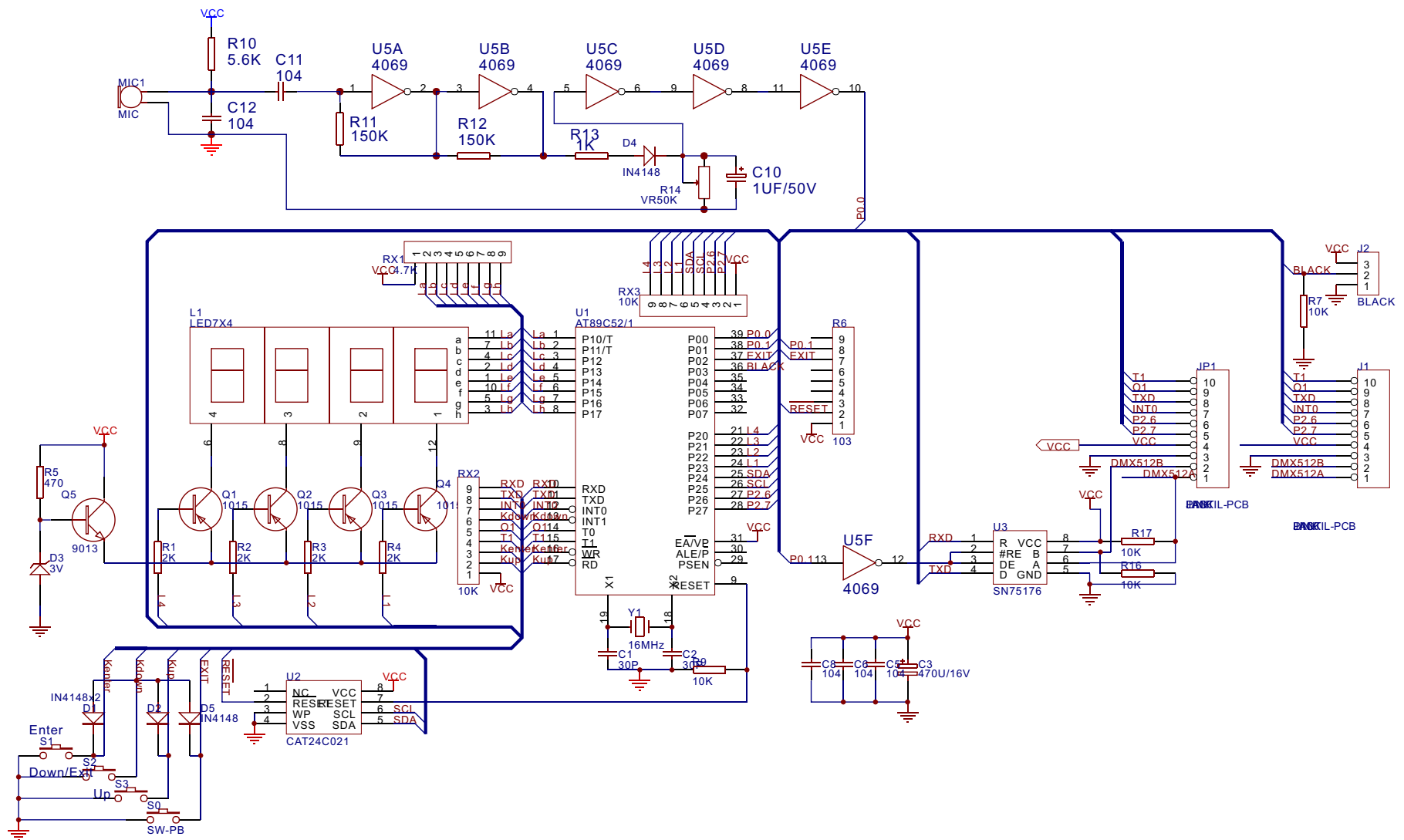
PRODUCT		CMY ZOOM 250			
PIC. NO.		BSD-05-02			
EDIT		FILE NO.	GS-EXP-013A		
CHECK		VERSION	NR	DATE	2005. 12. 13
APPROVE		ECN NO.		DATE	



PRODUCT		CMY ZOOM 250			
PIC. NO.		CMY ZOOM 250 ELECTRIC			
EDIT		FILE NO.	GS-WIJL-066		
CHECK		VERSION	NR	DATE	2005. 12. 13
APPROVE		ECN NO.		DATE	



PRODUCT		CMY ZOOM 250		
PIC. NO.		WASH-8CH-02B		
EDIT	FILE NO.	GS-WIDL-029		
CHECK	VERSION	NR	DATE	2005. 12. 13
APPROVE	ECN NO.		DATE	



PRODUCT		CMY ZOOM 250			
PIC. NO.		MINI-CONTROL-05			
EDIT		FILE NO.	GS-WIDL-014		
CHECK		VERSION	NR	DATE	2005. 12. 13
APPROVE		ECN NO.		DATE	